



## ISO B

PASSAGGIO LIBERO/INOX  
FREE FLOW/STAINLESS STEEL  
FREIER DURCHLAUF/EDELSTAHL  
PASSAGE LIBRE/ACIER INOX

### Caratteristiche tecniche

- Norma: ISO 7241-1 B
- Occlusione: passaggio libero
- Aggancio: sfere radiali
- Materiale: acciaio inox AISI 316
- Filettature: BSP - NPT
- Guarnizioni standard: FKM
- Temperatura d'esercizio: -25 °C +200 °C
- Guarnizioni opzionali: FFKM, EPDM o altro
- Pressioni di esercizio: 60-350 bar

Nominal size				Max working pressure	Rated flow	Max flow rate	Min burst pressure			Fluid spillage
DNP	BG	ISO	mm				Male	Female	Coupled	
06	1	6.3	11	35	45	90	-	-	160	-
10	2	10	15	35	106	220	-	-	210	-
13	3	12.5	19	35	189	380	-	-	150	-
20	4	20	24	25	288	560	-	-	100	-
25	5	25	29	20	379	760	-	-	88	-
39	7	40	38	8	757	1000	-	-	25	-
50	8	50	53	6	1000	1500	-	-	20	-

1 MPa = 145,04 psi • 1 l = 0,264 gal

### Technical data

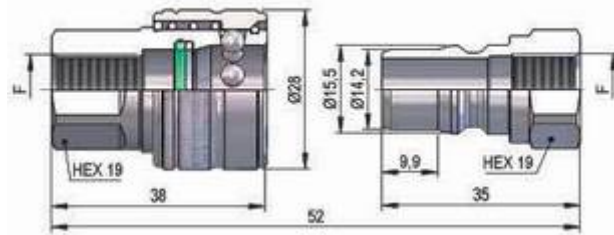
- Standard: ISO 7241-1 B
- Occlusion: free flow
- Locking: radial balls
- Material: stainless steel AISI 316
- Threads: BSP - NPT
- Standard seals: FKM
- Working temperature: -25 °C +200 °C
- Optional seals: FFKM, EPDM or more
- Working pressure: 60-350 bar

### Technische Merkmale

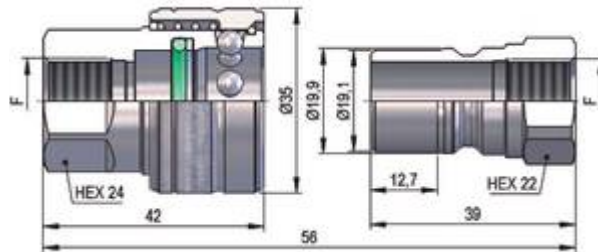
- Norm: ISO 7241-1 B
- Verschluss: freier Durchlauf
- Kupplung: Radialkugeln
- Werkstoff: rostfreier Stahl AISI 316
- Gewinde: BSP - NPT
- Standard-Dichtungen: FKM
- Betriebstemperatur: -25 °C +200 °C
- Dichtungen nach Wahl: FFKM, EPDM, usw.
- Betriebsdruck: 60-350 bar

### Caracteristiques techniques

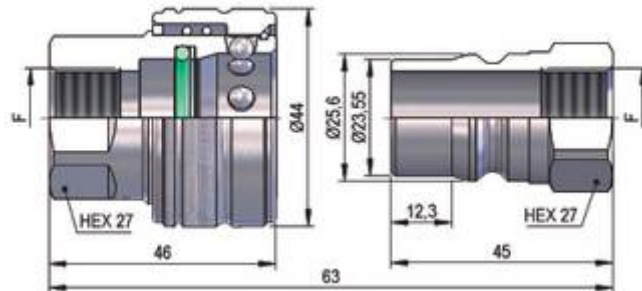
- Norme: ISO 7241-1 B
- Obturation: passage libre
- Accrochage: billes radiales
- Matériel: acier inoxydable AISI 316
- Taraudage: BSP - NPT
- Joints standard: FKM
- Température de service: -25 °C +200 °C
- Joints facultatifs: FFKM, EPDM, ect.
- Pression de service: 60-350 bar

**PBOX DN06 - BG 1 - ISO 6.3**


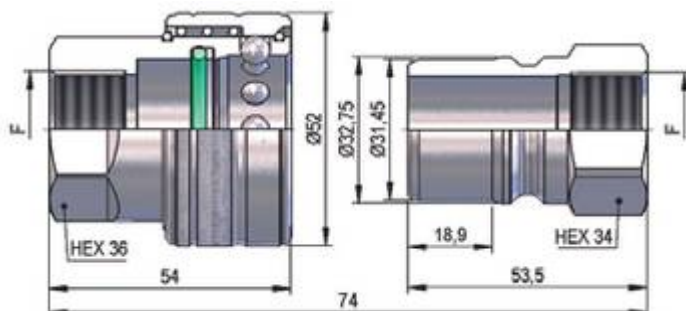
F	STANDARD	FEMMINA - FEMALE - MUFFE - FEMELLE			MASCHIO - MALE - STECKER - MALE		
		COD. F	Weight (g)	Packaging (pcs.)	COD. M	Weight (g)	Packaging (pcs.)
BSP 1/4"	DIN 3852-2-X	PBOX.0606.002	118	100	PBOX.0606.003	33	100
NPT 1/4"	ANSI B1.20.3	PBOX.0606.012	119	100	PBOX.0606.013	34	100

**PBOX DN10 - BG 2 - ISO 10**


F	STANDARD	FEMMINA - FEMALE - MUFFE - FEMELLE			MASCHIO - MALE - STECKER - MALE		
		COD. F	Weight (g)	Packaging (pcs.)	COD. M	Weight (g)	Packaging (pcs.)
BSP 3/8"	DIN 3852-2-X	PBOX.1010.002	142	100	PBOX.1010.003	48	100
NPT 3/8"	ANSI B1.20.3	PBOX.1010.012	144	100	PBOX.1010.013	50	100

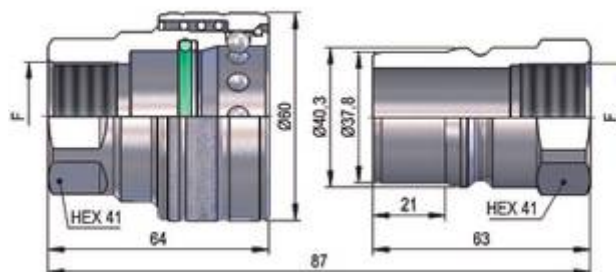
**PBOX DN13 - BG 3 - ISO 12.5**


F	STANDARD	FEMMINA - FEMALE - MUFFE - FEMELLE			MASCHIO - MALE - STECKER - MALE		
		COD. F	Weight (g)	Packaging (pcs.)	COD. M	Weight (g)	Packaging (pcs.)
BSP 1/2"	DIN 3852-2-X	PBOX.1313.002	215	100	PBOX.1313.003	85	100
NPT 1/2"	ANSI B1.20.3	PBOX.1313.012	218	100	PBOX.1313.013	88	100

**PBOX DN20 - BG 4 - ISO 20**


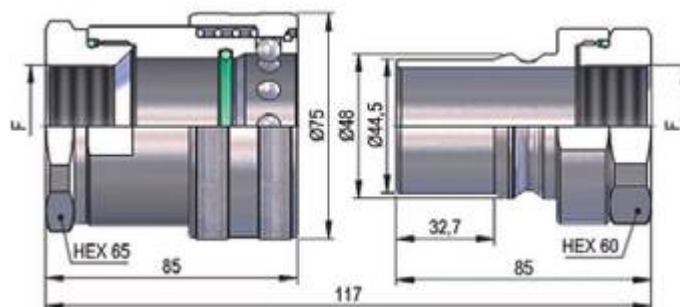
F	STANDARD	FEMMINA - FEMALE - MUFFE - FEMELLE			MASCHIO - MALE - STECKER - MALE		
		COD. F	Weight (g)	Packaging (pcs.)	COD. M	Weight (g)	Packaging (pcs.)
BSP 3/4"	DIN 3852-2-X	PBOX.2019.002	365	45	PBOX.2019.003	153	45
NPT 3/4"	ANSI B1.20.3	PBOX.2019.012	370	45	PBOX.2019.013	158	45

### PBOX DN25 - BG 5 - ISO 25



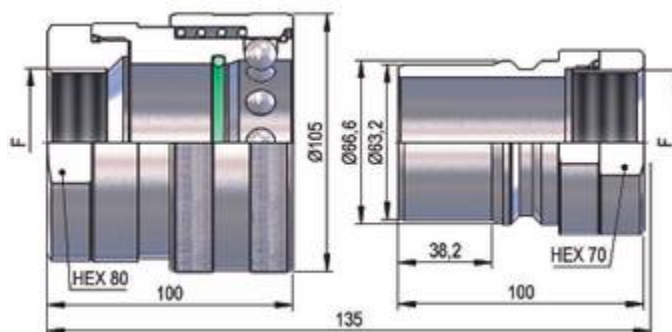
F	STANDARD	FEMMINA - FEMALE - MUFFE - FEMELLE			MASCHIO - MALE - STECKER - MALE		
		COD. F	Weight (g)	Packaging (pcs.)	COD. M	Weight (g)	Packaging (pcs.)
BSP 1"	DIN 3852-2-X	PBOX.2525.002	519	30	PBOX.2525.003	256	30
NPT 1"	ANSI B1.20.3	PBOX.2525.012	525	30	PBOX.2525.013	262	30

### PBOX DN39 - BG 7 - ISO 40



F	STANDARD	FEMMINA - FEMALE - MUFFE - FEMELLE			MASCHIO - MALE - STECKER - MALE		
		COD. F	Weight (g)	Packaging (pcs.)	COD. M	Weight (g)	Packaging (pcs.)
BSP 1 1/4"	DIN 3852-2-X	PBOX.3931.002	1476	9	PBOX.3931.003	616	8
NPT 1 1/4"	ANSI B1.20.3	PBOX.3931.012	1488	9	PBOX.3931.013	628	8
BSP 1 1/2"	DIN 3852-2-X	PBOX.3939.002	1390	9	PBOX.3939.003	539	8
NPT 1 1/2"	ANSI B1.20.3	PBOX.3939.012	1405	9	PBOX.3939.013	554	8

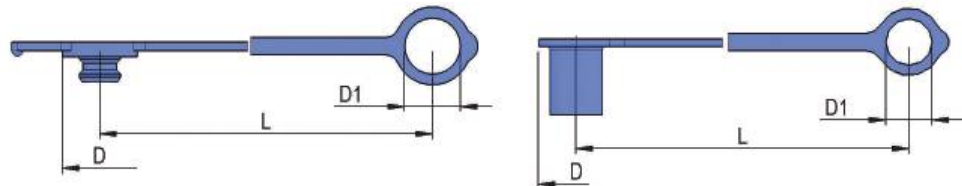
### PBOX DN50 - BG 8 - ISO 50



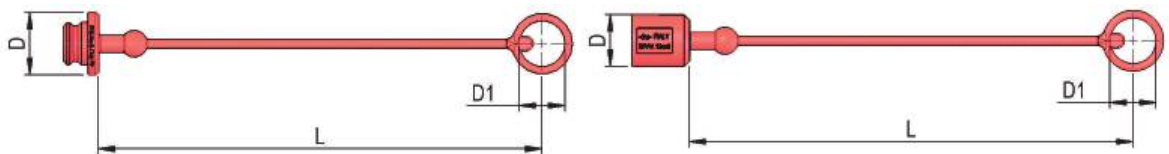
F	STANDARD	FEMMINA - FEMALE - MUFFE - FEMELLE			MASCHIO - MALE - STECKER - MALE		
		COD. F	Weight (g)	Packaging (pcs.)	COD. M	Weight (g)	Packaging (pcs.)
BSP 2"	DIN 3852-2-X	PBOX.5051.002	3110	4	PBOX.5051.003	938	5
NPT 2"	ANSI B1.20.3	PBOX.5051.012	3150	4	PBOX.5051.013	980	5

**PLASTIC CAPS**

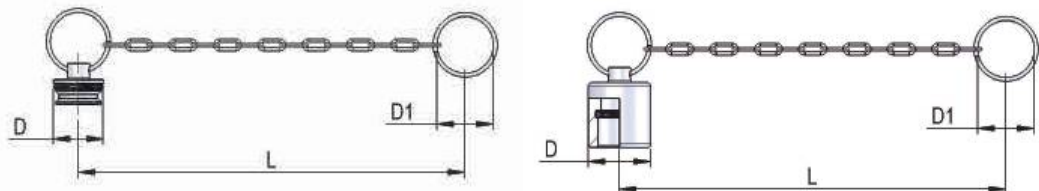
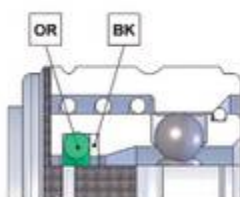
NOMINAL SIZE			FEMALE DUST PLUG				MALE DUST CAP				COLOUR	MATERIAL		
DNP	BG	ISO	COD. F	Dimensions			Weight (g)	COD. M	Dimensions			Weight (g)		
				D	L	D1			D	L	D1			
06	1	6.3	SPBV.06032	28	125	21	8	SPBV.06033	28	125	17	8	●	PVC
10	2	10	SPBV.10032	33	135	25	10	SPBV.10033	33	130	20	13	●	PVC
13	3	12.5	SPBV.13032	44	175	32	16	SPBV.13033	40	165	24	20	●	PVC
20	4	20	SPBV.20032	52	190	37	23	SPBV.20033	44	190	31	27	●	PVC
25	5	25	SPBV.25032	61	230	43	30	SPBV.25033	53	230	37	40	●	PVC



NOMINAL SIZE			FEMALE DUST PLUG				MALE DUST CAP				COLOUR	MATERIAL		
DNP	BG	ISO	COD. F	Dimensions			Weight (g)	COD. M	Dimensions			Weight (g)		
				D	L	D1			D	L	D1			
06	1	6.3	SPBV.06002	26	240	23	9	SPBV.06003	18	240	23	9	●	PVC
10	2	10	SPBV.10002	33	235	25	9	SPBV.10003	23	240	24	10	●	PVC
13	3	12.5	SPBV.13002	38	240	29	15	SPBV.13003	29	245	28	13	●	PVC
20	4	20	SPBV.20002	49	240	38	17	SPBV.20003	36	245	38	16	●	PVC
25	5	25	SPBV.25002	60	245	46	24	SPBV.25003	44	235	44	19	●	PVC


**METAL CAPS**

NOMINAL SIZE			FEMALE DUST PLUG				MALE DUST CAP				MATERIAL		
DNP	BG	ISO	COD. F	Dimensions			Weight (g)	COD. M	Dimensions			Weight (g)	
				D	L	D1			D	L	D1		
06	1	6.3	SPBV.06202	22	210	30	15	SPBV.06203	22	245	28	32	Aluminum
06	1	6.3	-	-	-	-	-	SPBV.06303	21	260	19	49	AISI 316
10	2	10	SPBV.10202	22	155	30	18	SPBV.10203	27	155	30	34	Aluminum
13	3	12.5	SPBV.13202	28	305	41	34	SPBV.13203	35	265	41	66	Aluminum
20	4	20	SPBV.20202	35	265	43	49	SPBV.20203	42	250	30	102	Aluminum
25	5	25	SPBV.25202	44	240	41	70	SPBV.25203	48	340	49	126	Aluminum
39	7	40	SPBV.39202	74	225	46	175	SPBV.39203	55	225	46	205	Aluminum
50	8	50	SPBV.50202	105	350	75	265	SPBV.50203	80	350	75	365	Aluminum


**SPARE PARTS**


NOMINAL SIZE			FEMALE GASKET	
DNP	BG	ISO	OR (VITON)	BK (PTFE)
			06	1
10	2	10	PDV.010.120 V	PBV.010.130
13	3	12.5	PBV.013.120 V	PBV.013.130
20	4	20	PBV.019.120 V	PBV.019.130
25	5	25	PBV.025.120 V	PBV.025.130
39	7	40	PBV.039.120 V	-
50	8	50	PBV.050.120 V	-